



## Manual epc611 Evaluation Kit

### How to get started

### General Description

The evaluation kit for the epc611 chip is a tool to learn about the functionality and performance of the epc611 chip. It consists of two implementations of the chip into typical modules:

- TOF>range 611: A range finder, where the 64 pixels are combined into one cluster pixel. This range finder operates up to 15 meters and allows a measurement accuracy in the cm range.
- TOF>frame611: A tiny imager with 8x8 pixels and an operating range of two meters. This device allows e.g. people counting, simple gesture recognition, etc.

Both modules operate also under full sunlight condition on the target, to demonstrate the outdoor capabilities.

This document presents an overview of the operation and functionality of the epc611 Evaluation Kit. It also contains the schematic diagrams which can be used as reference designs. In addition to that the complete firmware of the two modules comes in C source code, to support the implementation of your own modules.

### Features

- A quick introduction to the epc611 3D-TOF chip
- Complete development system for applications using the epc611 chip as a range-finder or 8x8 pixel imager
- The basic epc611 chip operation modes can be evaluated
- Includes TOF>range 611, TOF>frame 611 and USB adapter
- Range-finder TOF>range 611: FOV 0.18° (h/v)  
Operating range up to 15m on white targets
- 8x8 pixel imager TOF>frame 611: FOV 12° (h/v)  
FOV for near-field gesture control
- Log section to capture single images and picture sequences for further processing
- User software (PC/Mac) with visualization and logging features. It includes all the source code libraries for development.

### Applications

- Evaluation and development support



Figure 1: epc611 evaluation kit

## 1. Precaution and Safety



**Eye safety: Do not look directly into the camera under operation. Depending on the mode of operation, the camera device emits highly concentrated non-visible infrared light. It can be hazardous to the human eye. The use of these devices has to follow the safety precautions given in IEC 60825-1 and IEC62471.**



Some of the camera modules are bare electronic devices without a housing surround. Therefore, handle them with the necessary ESD precaution.



Over-voltage: Use only power supplies which correspond to the datasheet of the cameras to avoid damage of the devices or cause danger for humans.



Cable-tripping: Place the sensors on solid ground or fix it correctly on a solid support. Place cables carefully. Falling devices can be damaged.



The sensors comes with their own calibrated firmware. For proper operation of the sensors, upload the correct firmware with the evaluation kit to the sensors according the instructions given herein.



Take care that the lens surfaces of the cameras do not get soiled. Do not touch them. Otherwise loss of performance occurs.



EMC compatibility: The epc611 Evaluation Kit is designed on module level. It is not an EMC certified device. It is the responsibility of the user to operate it in compliance with the EMC regulations.



The epc611 Evaluation Kit is designed on module level. It is NOT a CE, UL, CSA certified device. It is the users responsibility to operate it in compliance with the relevant regulations.



The cameras of the epc611 Evaluation Kit and their software may only be used in accordance with the information contained in their datasheets.



These devices may not be used in safety applications, explosive atmospheres or in radioactive environment.



Limited warranty - Loss of warranty

The epc611 Evaluation Kit should only be installed and used by authorized persons. All instructions in this datasheet and in the related documents shall be followed and fully complied with. In addition, the installer and user is required to comply with all local laws and regulations. Should any of these instructions not be carefully followed, serious injury may occur. The installer and user is fully responsible for the safe use and operation of the system. It is the sole responsibility of the installer and the user to ensure that this product is used according to all applicable codes and standards, in order to ensure safe operation of the whole application. Any alteration to the devices by the buyer, installer or user may result in unsafe operating conditions. ESPROS Photonics AG is not responsible for any liability or warranty claim which results from such manipulation or disregarding of given operating instructions.

### UPDATES

**ESPROS Photonics is constantly striving to provide comprehensive and correct product information. Therefore, please check our website regularly for updated versions of datasheets and documentations: [www.espros.com](http://www.espros.com)**



Download the current Datasheet epc611: [www.espros.com](http://www.espros.com) → Downloads → Datasheets → Chips



Download the current Datasheet TOF>range 611 or TOF>frame 611: [www.espros.com](http://www.espros.com) → Downloads → Datasheets → Camera\_and\_Modules



Download the current Manual epc611\_Evalkit: [www.espros.com](http://www.espros.com) → Downloads → Datasheets → Evaluation\_Kits



Always download and use the latest epc611 Evaluation Kit software.

Questions: Send an email with your request to your local sales office or to [info@espros.com](mailto:info@espros.com)



Update the epc611 Evaluation Kit software : Go to the folder "ESPROS\_epc611\_Evaluation\_Kit\_Software\_vX.X". Read the Readme file and follow the instructions accordingly.

## Table of Contents

<b>1. Precaution and Safety</b> .....	<b>2</b>
<b>2. epc611 evaluation kit</b> .....	<b>4</b>
2.1. Scope of delivery .....	4
2.2. Ordering information .....	4
<b>3. Hardware</b> .....	<b>6</b>
3.1. TOF>range 611 and TOF>frame 611 .....	6
3.1.1. Technical data .....	6
3.1.2. PCB assembly of the TOF>range 611 .....	6
3.1.3. Schematics TOF>range 611 .....	7
3.1.4. TOF>frame 611 .....	8
3.2. USB-UART adapter .....	8
3.2.1. Assembly USB-UART adapter .....	8
3.2.2. USB-UART adapter drawing .....	8
3.2.3. Schematics USB-UART adapter .....	9
<b>4. Installation and setup</b> .....	<b>10</b>
4.1. Setup the epc611 evaluation kit system .....	10
4.2. Software, software development kit (SDK) and application tools .....	10
4.3. Software installation .....	11
<b>5. GUI functionality</b> .....	<b>12</b>
5.1. Start the GUI software .....	12
5.2. Operate the sensors .....	12
5.3. Special functions TOF>frame 611 .....	12
5.4. Miscellaneous functions .....	13
<b>6. Maintenance and disposal</b> .....	<b>14</b>
6.1. Maintenance .....	14
6.2. Disposal .....	14
<b>7. Addendum</b> .....	<b>14</b>
7.1. Related documents .....	14
7.2. Links .....	14
7.3. Licenses .....	14

## 2. epc611 evaluation kit

### 2.1. Scope of delivery

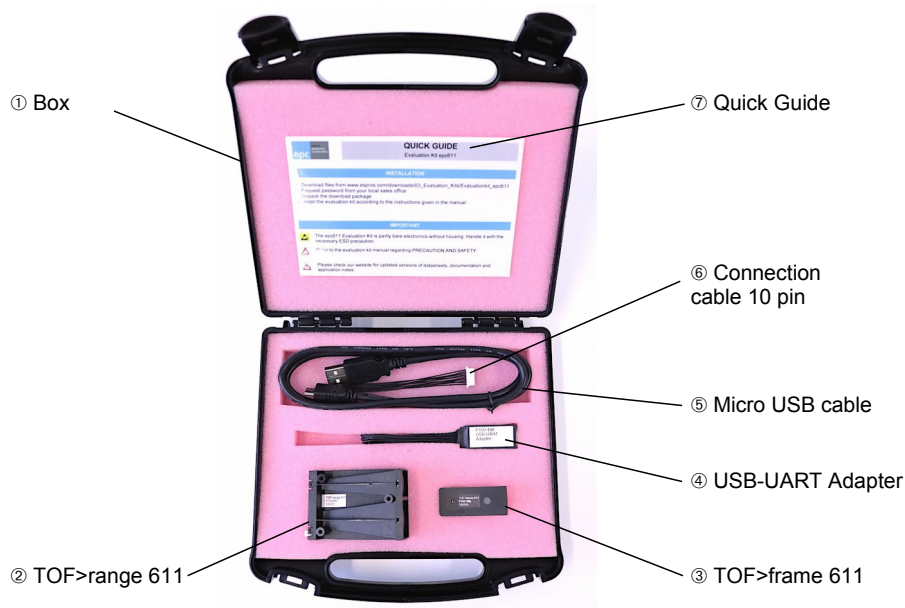


Figure 2: epc611 evaluation kit overview

No	Pieces	Designation	Remarks
①	1	Box	
②	1	TOF>range 611	
③	1	TOF>frame 611	
④	1	USB-UART adapter, includes connector 10 pin	USB 2.0, micro plug
⑤	1	Micro USB cable	2.0, A plug - micro plug
⑥	1	Cable 10 Pin F JST 1.0 mm (L=76 mm)	for customized connection
⑦	1	epc611 Quick Guide	
		Manual epc611 evaluation kit	available at <a href="http://www.espros.com">www.espros.com</a> → Downloads
		Datasheet epc611	available at <a href="http://www.espros.com">www.espros.com</a> → Downloads
		Datasheet TOF>range 611	available at <a href="http://www.espros.com">www.espros.com</a> → Downloads
		Datasheet TOF>frame 611	available at <a href="http://www.espros.com">www.espros.com</a> → Downloads
		Use the application and configuration software "ESPROS_epc611_Evaluation_Kit_Software_vX.X". It includes the corresponding tools and software development kit (SDK).	available at <a href="http://www.espros.com">www.espros.com</a> → Downloads

Table 1: Bill of material of the delivery

### 2.2. Ordering information

Part Number	Part Name	Remarks
P100 487	epc611 Evaluation Kit	Includes TOF>range 611, TOF>frame 611, USB adapter and cables
P100 483	TOF>range 611	Distance measurement engine, Spot 3 x3 mm @ 1m, range 0 ... 15m
P100 499	TOF>frame 611	Distance measurement engine, FOV 12° (h/v), range 0 ... 2m
P100 498	USB-UART Adapter	
P100 516	Cable 10 Pin F JST 1.0 mm (L=76 mm)	For customized connection

Table 2: Ordering Information epc611 evaluation kit



Figure 3: epc611 evaluation kit



Figure 4: TOF>frame 611 (left) and TOF>range 611 (right)



Figure 5: TOF>range 611 and USB-UART adapter

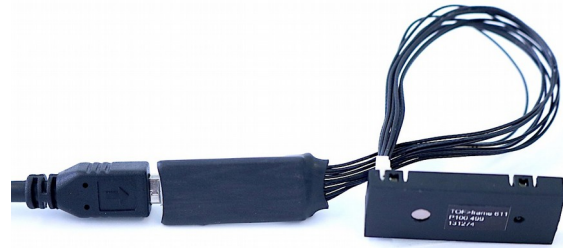


Figure 6: TOF>frame 611 and USB-UART adapter

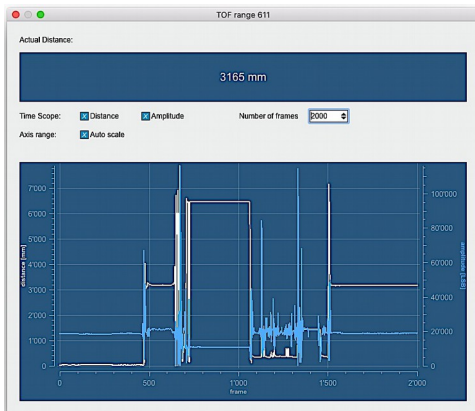


Figure 7: GUI – TOF>range 611

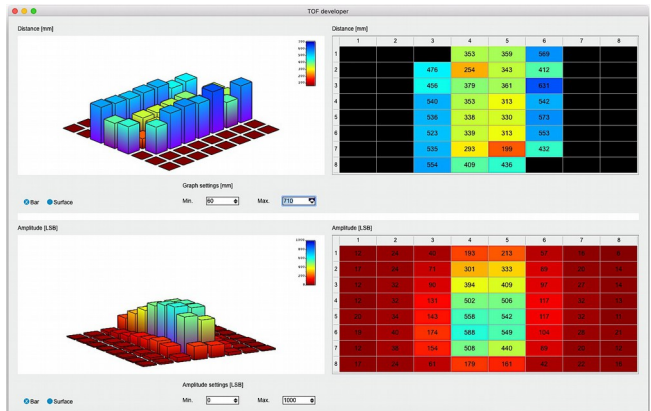


Figure 8: GUI – TOF>frame 611

### 3. Hardware

#### 3.1. TOF>range 611 and TOF>frame 611

##### 3.1.1. Technical data

The technical data of TOF>range 611 and TOF>frame 611 are specified in the corresponding datasheets.

##### 3.1.2. PCB assembly of the TOF>range 611

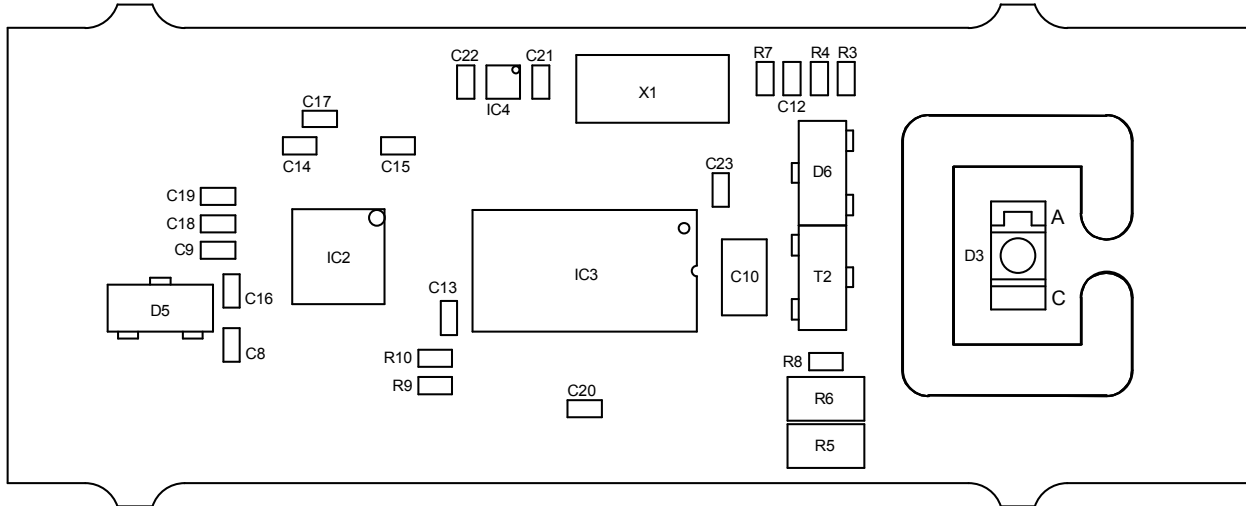


Figure 9: Assembly top TOF>range 611

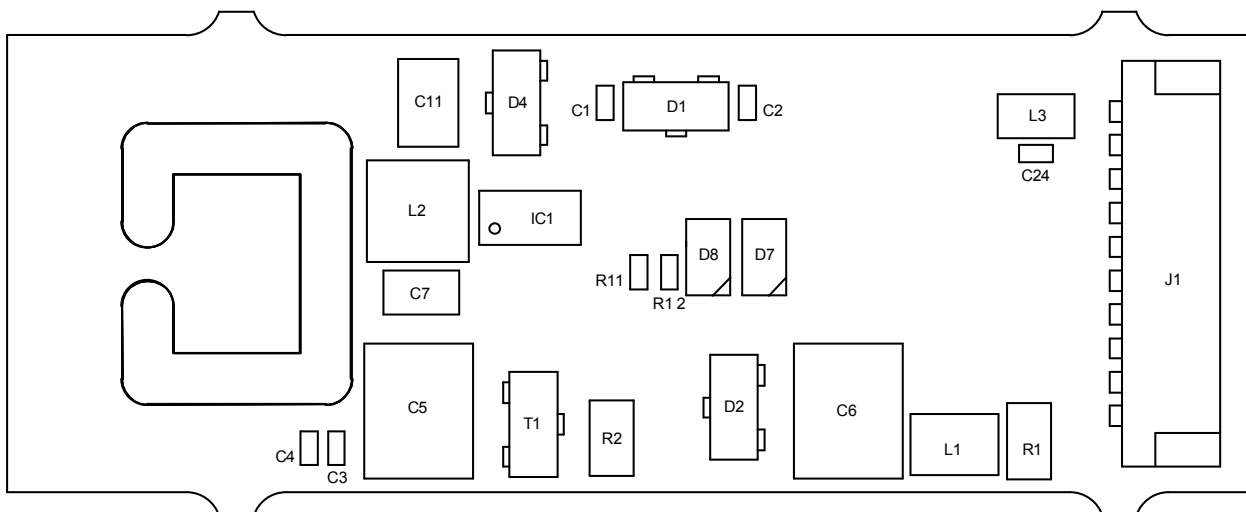


Figure 10: Assembly bottom TOF>range 611



### 3.1.4. TOF>frame 611

The TOF>frame 611 uses the same PCB board as TOF>range 611. The only differences are with the epc611 receiver chip, which has a lens bonded to the chip and different software in the microcontroller.

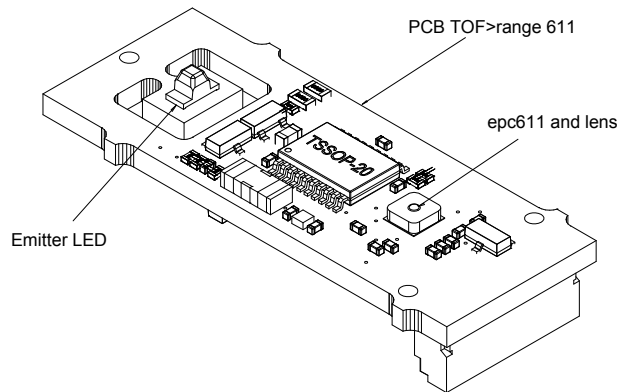


Figure 12: TOF>frame 611 overview

## 3.2. USB-UART adapter

### 3.2.1. Assembly USB-UART adapter

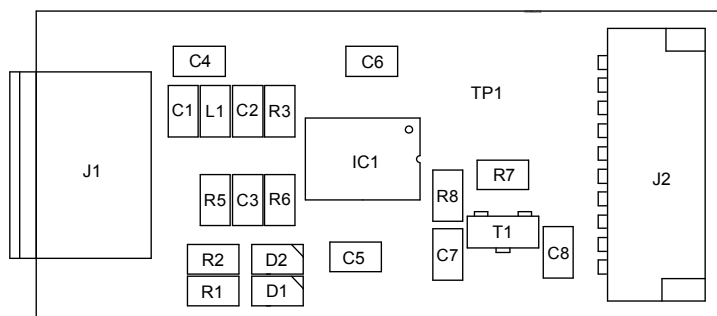


Figure 13: Assembly USB-UART adapter

### 3.2.2. USB-UART adapter drawing

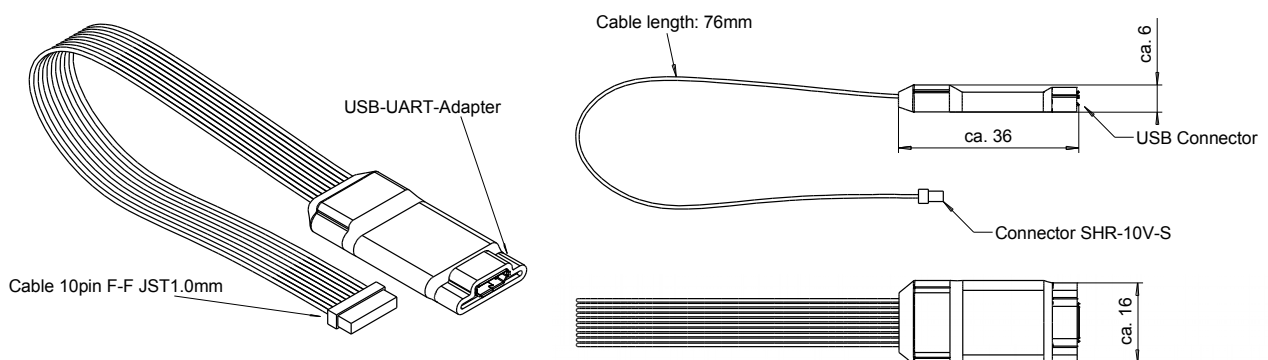


Figure 14: USB-UART adapter including cable



3.2.3. Schematics USB-UART adapter

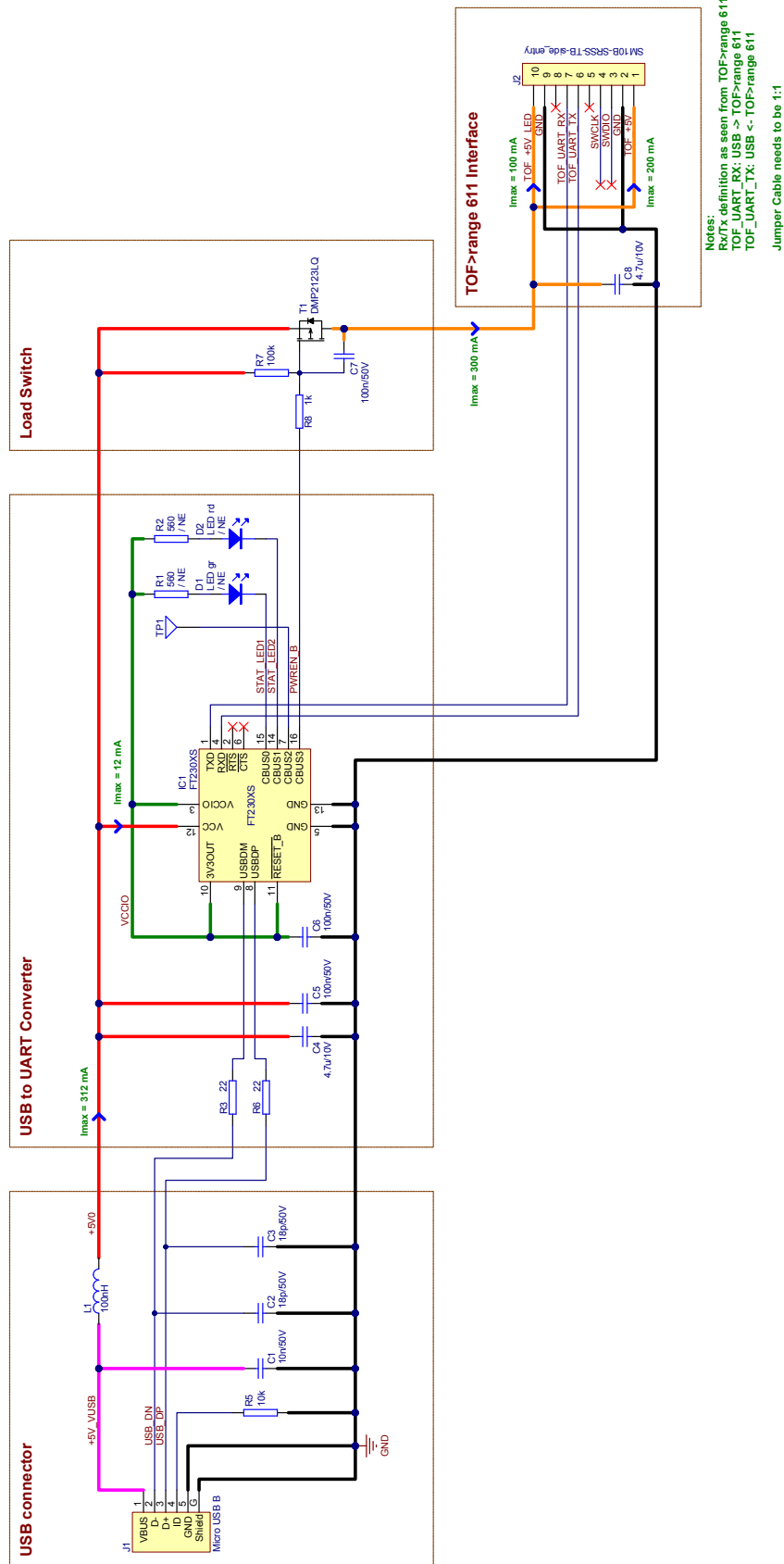


Figure 15: Schematics USB-UART adapter

## 4. Installation and setup

### 4.1. Setup the epc611 evaluation kit system

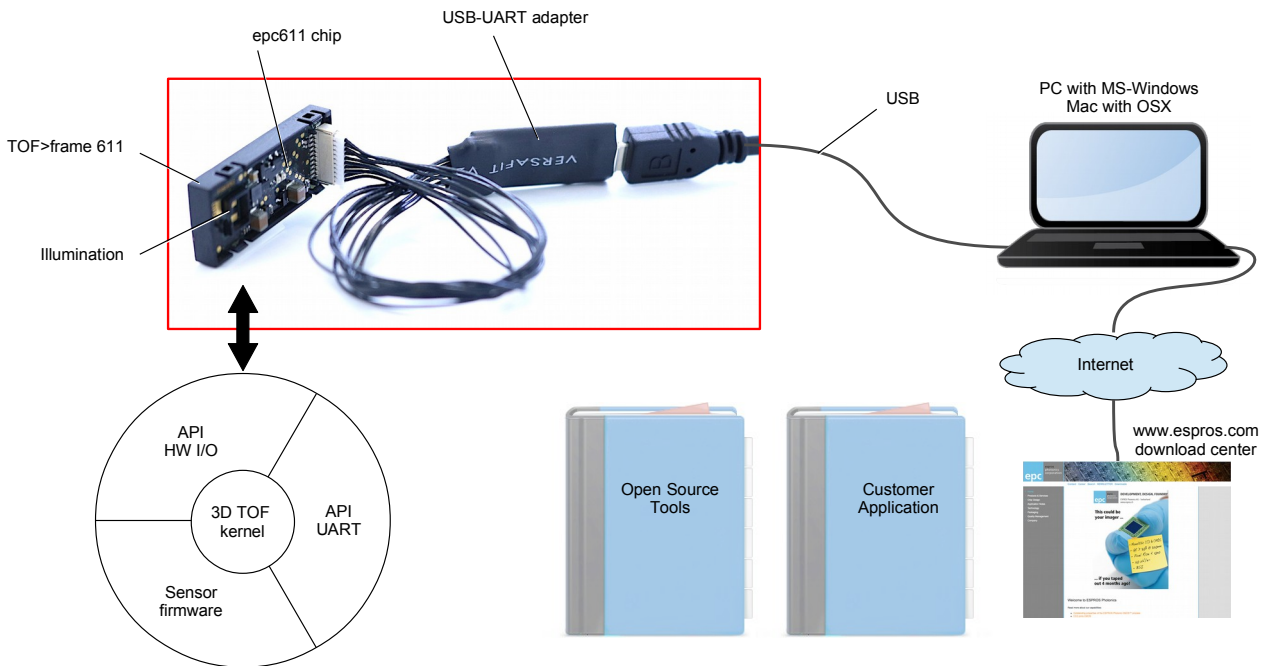


Figure 16: Principal system setup e.g. for TOF>frame 611  
Refer also to Figure 5 and Figure 6.

The epc611 evaluation kit uses the TOF>range 611 and TOF>frame. They are general purpose camera/sensor modules based on the epc611 chip:

- The sensor/camera is based on a board with a small microprocessor.
- The sensors, with their UART interface, communicate with the computer via USB-UART adapter, using a virtual “COM” port.
- The USB interface supplies the sensor with power.
- The application firmware on the sensors have a 3D-TOF kernel which manages the camera, including correction algorithms.

#### Connecting the system

- 1: Connect the USB-UART adapter to the TOF>range 611 or TOF>frame 611 and the USB cable.
- 2: Plug the USB cable to the computer. System is powered up and ready to use.
- 3: Run the evaluation kit software

#### Disconnecting the system

- 1: Close the evaluation kit software
- 2: Disconnect the USB cable from the computer to power-off USB-UART adapter and the sensor.

### 4.2. Software, software development kit (SDK) and application tools

ESPROS Photonics supports the user's development and application by having various support tools available e.g. software development kit (SDK), updates and program downloads for the epc611 chip, application interfaces (API), etc. They are all available by downloading the ESPROS\_epc611\_Evaluation\_Kit\_Software\_vX.X. Updates of camera firmware are also included in the package.

After the download, first read the README and CHANGELOG files to get the latest operation and application information.

### 4.3. Software installation

The epc611 evaluation kit uses software which can be downloaded from the ESPROS homepage at [www.espros.com](http://www.espros.com). Click the link "Downloads" as shown below:

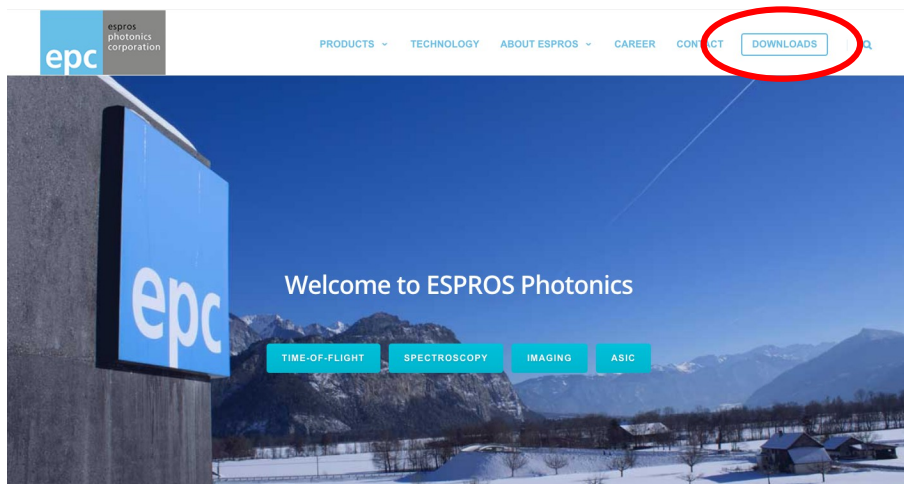


Figure 17: ESPROS homepage with the Download link

You will see a folder structure. Go to the subfolder 03\_Evaluation Kits/Evaluationkit\_epc611 and download the corresponding file "ESPROS\_epc611\_Evaluation\_Kit\_Software\_vX.X" for Windows or Mac. Unpack the file. You will get a folder structure as shown in Figure 18.

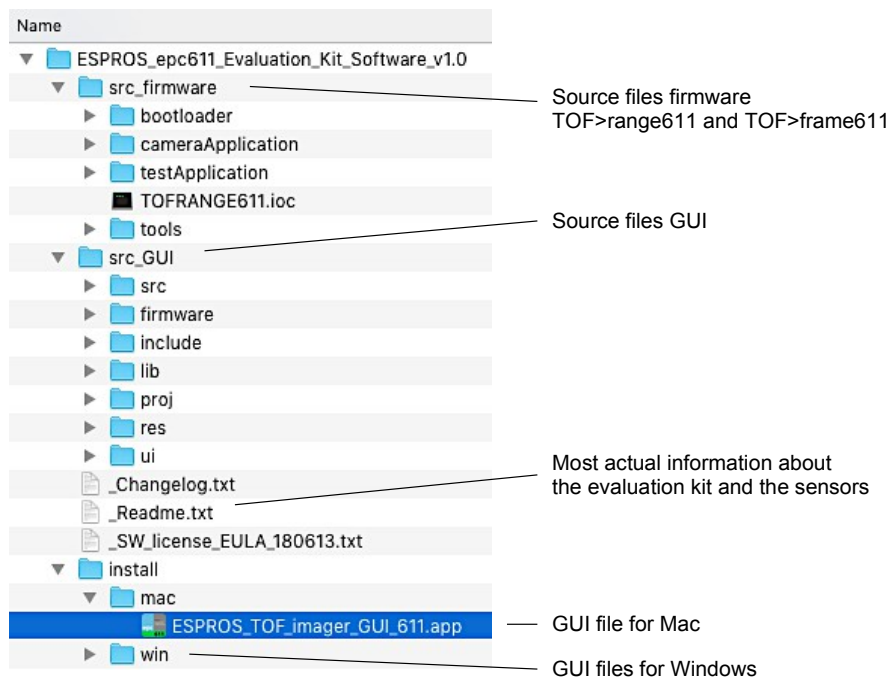


Figure 18: Folder structure after installation

**Note:**

The ESPROS\_epc611\_Evaluation\_Kit\_Software\_vX.X does not need any driver installation. It can be run directly.

## 5. GUI functionality

### 5.1. Start the GUI software

Note:

First, after installation of a new software release, read the README and CHANGELOG files of the download package to get latest evaluation kit information.

After starting the “ESPROS\_TOF-imager\_GUI\_611” application file, the software connects automatically to the device. The corresponding control window of the Graphical User Interface (GUI) appears.

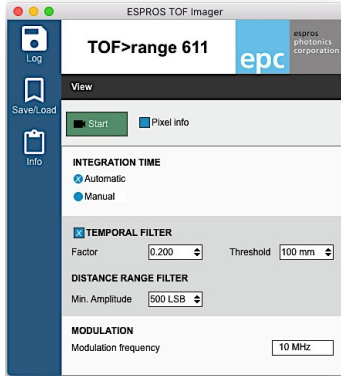


Figure 19: Control window after startup for TOF>range 611

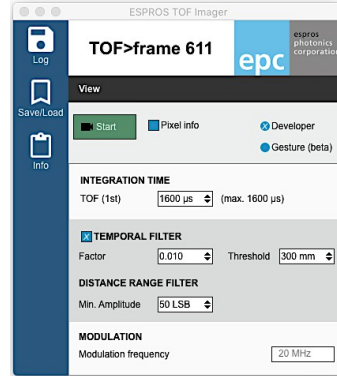


Figure 20: Control window after startup for TOF>frame 611

The GUI consists of different windows: The control window is on top, the corresponding display windows are on a lower level. The control window is used to set parameters, choose the way of displaying the camera data or images and to log data. It consists of two sections: Left is the dock with the Apps and right is the control section.

Most of the functions are self-explanatory and are not described here. However, some tool tip windows support the usage.

### 5.2. Operate the sensors

Press the “Start” button. You get the main data window:



Figure 21: Main data window for TOF>range 611

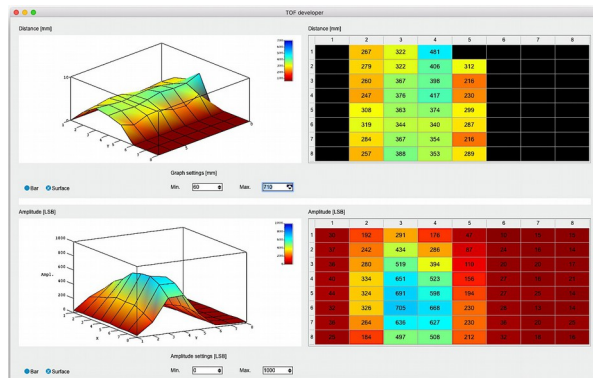


Figure 22: Main data window for TOF>frame 611

### 5.3. Special functions TOF>frame 611

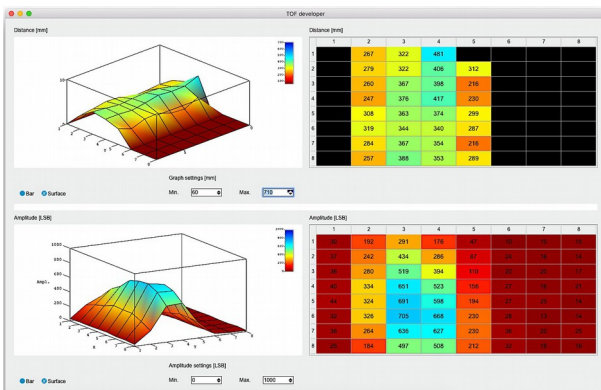


Figure 23: Surface plot distance and amplitude

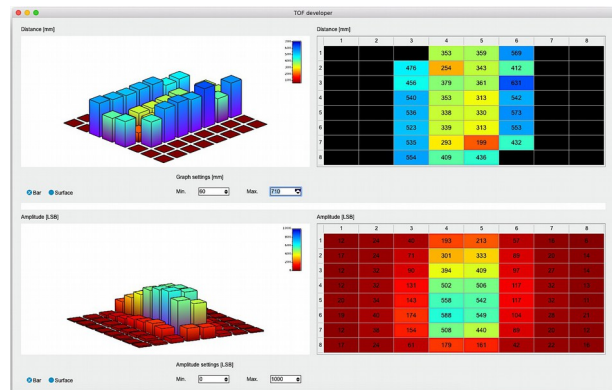


Figure 24: Bar graph plot distance and amplitude

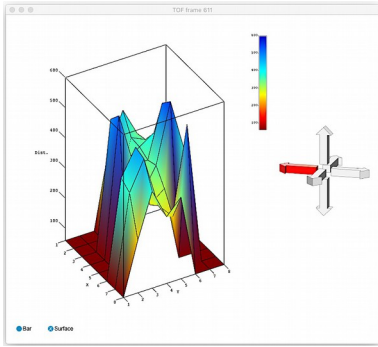


Figure 25: Gesture mode surface plot: Distance and moving direction

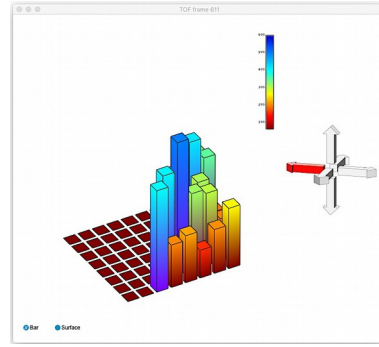


Figure 26: Gesture mode bar graph: Distance and moving direction

5.4. Miscellaneous functions

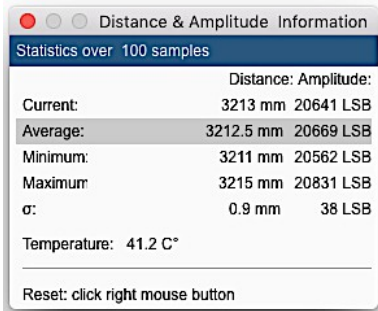


Figure 27: Pixel info TOF>range 611

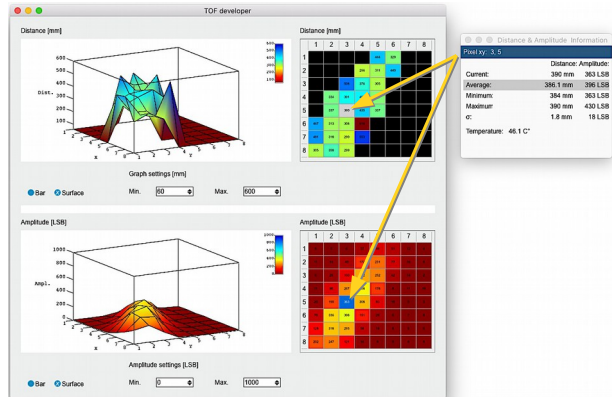


Figure 28: Pixel info TOF>frame 611 Yellow arrows show selected pixel

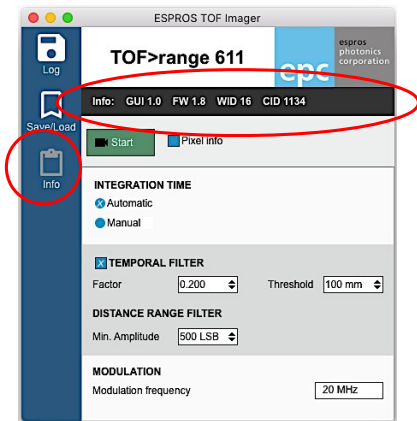


Figure 29: GUI, firmware and chip info TOF>range 611

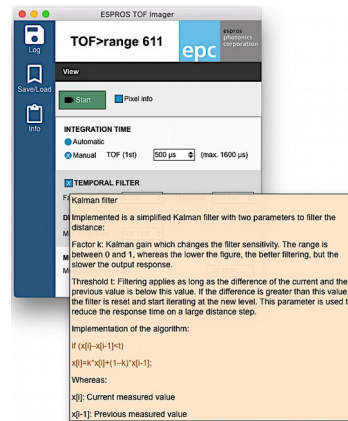


Figure 30: GUI shows pop-up tool tip window

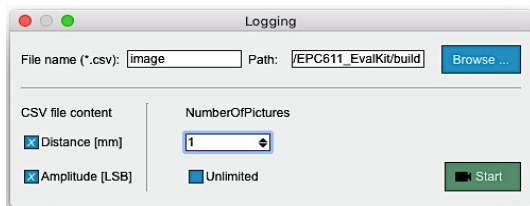


Figure 31: Log dialog

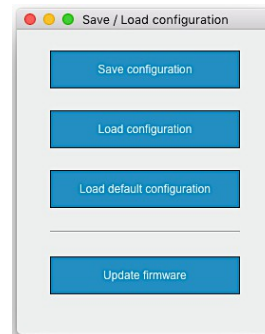


Figure 32: Save, reload GUI configurations and update the firmware

## 6. Maintenance and disposal

### 6.1. Maintenance

The components of the device do not need regular maintenance. A functional check is recommended each time the device is taken into operation:

- Check the mounting position and the detection area of the sensor with respect to the operational conditions. Also check that there is no hazardous situation.
- From time to time, clean the lens with a soft towel and a little soapy water, to remove dust or dirt.

### 6.2. Disposal

Disposal should be done using the most up-to-date recycling technologies for electronic components according to the local regulations and laws. The design and manufacture of the kit's components are done in compliance with the RoHS legal regulations. Traces of dangerous materials may be found in the electronic components, but not in harmful quantities.

## 7. Addendum

### 7.1. Related documents

- Datasheet epc611, ESPROS Photonics Corp.
- Datasheet TOF>range 611, ESPROS Photonics Corp.
- Datasheet TOF>frame 611, ESPROS Photonics Corp.
- Application note AN10 TOF Calibration and Compensation, ESPROS Photonics corp.
- Application note AN12\_Distance\_Noise\_Reduction\_with\_Kalman\_Filter, ESPROS Photonics corp.

### 7.2. Links

[www.espros.com](http://www.espros.com)

[www.pointcloud.org](http://www.pointcloud.org) - Point Cloud Library (PCL)

[www.pdal.io](http://www.pdal.io) - Point Data Abstraction Library (PDAL)

[www.opencv.org](http://www.opencv.org) - OpenCV (OpenSource Computer Vision)

### 7.3. Licenses

We appreciate the use of the following open source or free software in our tools and respect the large amount of work the owners have done:

- **Putty**: <http://www.chiark.greenend.org.uk/~sgtatham/putty/licence.html>  
Copyright (C) 1997-2015 Simon Tatham
- **Qt-4.8**: <http://www.gnu.org/licenses/old-licenses/lgpl-2.1.html>  
Copyright (C) 2012 Nokia Corporation
- **Qwt-6.1**: <http://qwt.sourceforge.net/qwtlicense.html>  
Copyright (C) 1997 Josef Wilgen & Copyright (C) 2002 Uwe Rathmann under **Qwt License, Version 1.0**
- **QwtPlot3D**: <http://qwtplot3d.sourceforge.net/web/navigation/license.txt>  
Copyright (C) 2003-2005 Michael Bieber

All rights reserved by the owners.

THIS SOFTWARE IS PROVIDED BY THE COPYRIGHT HOLDERS AND CONTRIBUTORS "AS IS" AND ANY EXPRESS OR IMPLIED WARRANTIES, INCLUDING, BUT NOT LIMITED TO, THE IMPLIED WARRANTIES OF MERCHANTABILITY AND FITNESS FOR A PARTICULAR PURPOSE ARE DISCLAIMED. IN NO EVENT SHALL THE COPYRIGHT HOLDER OR CONTRIBUTORS BE LIABLE FOR ANY DIRECT, INDIRECT, INCIDENTAL, SPECIAL, EXEMPLARY, OR CONSEQUENTIAL DAMAGES (INCLUDING, BUT NOT LIMITED TO, PROCUREMENT OF SUBSTITUTE GOODS OR SERVICES; LOSS OF USE, DATA, OR PROFITS; OR BUSINESS INTERRUPTION) HOWEVER CAUSED AND ON ANY THEORY OF LIABILITY, WHETHER IN CONTRACT, STRICT LIABILITY, OR TORT (INCLUDING NEGLIGENCE OR OTHERWISE), ARISING IN ANY WAY OUT OF THE USE OF THIS SOFTWARE, EVEN IF ADVISED OF THE POSSIBILITY OF SUCH DAMAGE.

## IMPORTANT NOTICE

ESPROS Photonics AG and its subsidiaries (epc) reserve the right to make corrections, modifications, enhancements, improvements, and other changes to its products and services at any time and to discontinue any product or service without notice. Customers should obtain the latest relevant information before placing orders and should verify that such information is current and complete. All products are sold subject to epc's terms and conditions of sale supplied at the time of order acknowledgment.

epc warrants performance of its hardware products to the specifications applicable at the time of sale in accordance with epc's standard warranty. Testing and other quality control techniques are used to the extent epc deems necessary to support this warranty. Except where mandated by government requirements, testing of all parameters of each product is not necessarily performed.

epc assumes no liability for applications assistance or customer product design. Customers are responsible for their products and applications using epc components. To minimize the risks associated with customer products and applications, customers should provide adequate design and operating safeguards.

epc does not warrant or represent that any license, either express or implied, is granted under any epc patent right, copyright, mask work right, or other epc intellectual property right relating to any combination, machine, or process in which epc products or services are used. Information published by epc regarding third-party products or services does not constitute a license from epc to use such products or services or a warranty or endorsement thereof. Use of such information may require a license from a third party under the patents or other intellectual property of the third party, or a license from epc under the patents or other intellectual property of epc.

Resale of epc products or services with statements different from or beyond the parameters stated by epc for that product or service voids all express and any implied warranties for the associated epc product or service. epc is not responsible or liable for any such statements.

epc products are not authorized for use in safety-critical applications (such as life support) where a failure of the epc product would reasonably be expected to cause severe personal injury or death, unless officers of the parties have executed an agreement specifically governing such use. Buyers represent that they have all necessary expertise in the safety and regulatory ramifications of their applications, and acknowledge and agree that they are solely responsible for all legal, regulatory and safety-related requirements concerning their products and any use of epc products in such safety-critical applications, notwithstanding any applications-related information or support that may be provided by epc. Further, Buyers must fully indemnify epc and its representatives against any damages arising out of the use of epc products in such safety-critical applications.

epc products are neither designed nor intended for use in military/aerospace applications or environments unless the epc products are specifically designated by epc as military-grade. Only products designated by epc as military-grade meet military specifications. Buyers acknowledge and agree that any such use of epc products which epc has not designated as military-grade is solely at the Buyer's risk, and that they are solely responsible for compliance with all legal and regulatory requirements in connection with such use.

epc products are neither designed nor intended for use in automotive applications or environments unless the specific epc products are designated by epc as compliant with ISO/TS 16949 requirements. Buyers acknowledge and agree that, if they use any non-designated products in automotive applications, epc will not be responsible for any failure to meet such requirements.