

Piezo-Buzzer with oscillator

Electrical and Acoustical Parameter

Rated Voltage (VAC/DC)	24.0
Operating Voltage (VAC/DC)	12.0-50.0
Current Consumption (mA@rated voltage)	max. 20.0
Sound Pressure Level (dBA@1m, rated voltage)	min. 82
Resonance Frequency (Hz)	3000±500
Tone	Continuous and Pulse Tone
Remark:	n.a.

Mechanical, Environmental Parameter

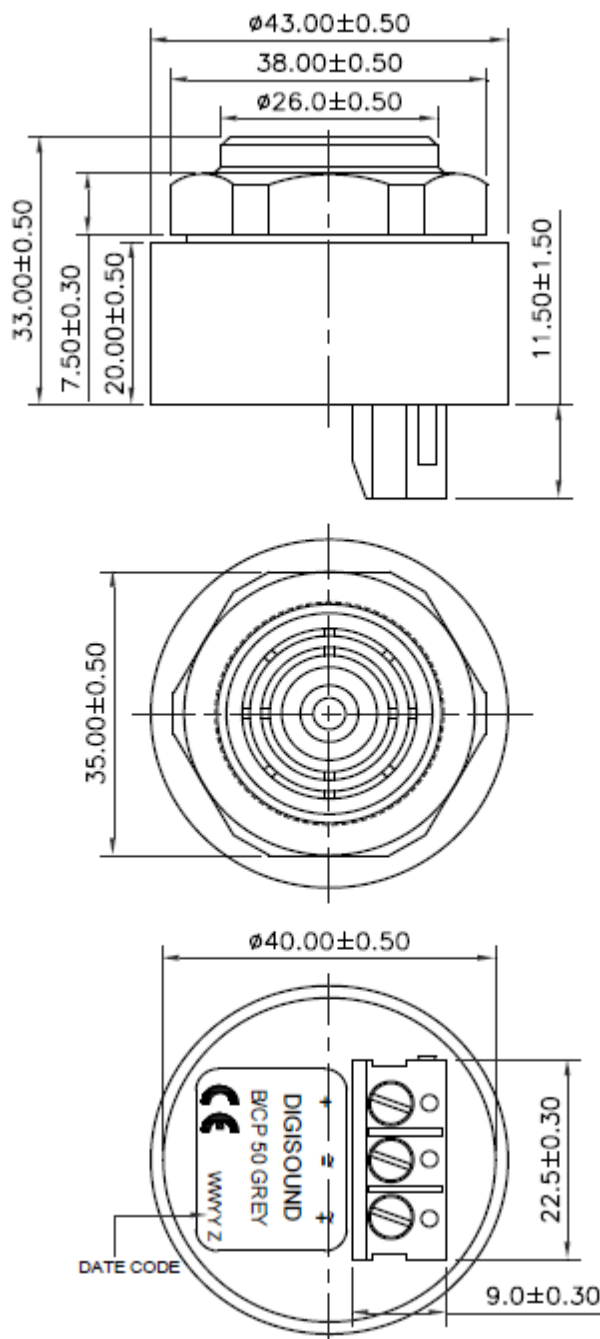
Contact	Terminal Block
Operating Temperature (°C)	-30 to +75
Storage Temperature (°C)	-30 to +80
Material Housing	ABS
Colour Housing	grey
IP Rating	65
Component weight (g)	42
Packaging	Box
Remark:	

Approval

RoHs	<input checked="" type="checkbox"/>
UL	<input type="checkbox"/>

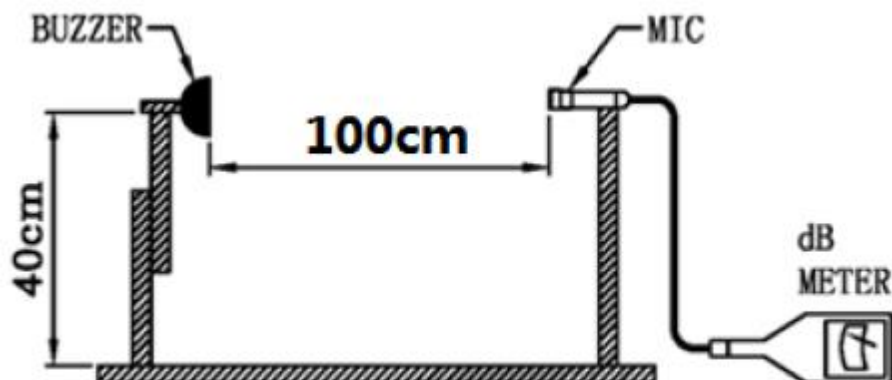
Designed by	MZ	08.01.2016	Dimensions without tolerance ±0.5mm	Index: 02	Current date
Released by	CB	08.01.2016	Drawing number	160108.1BZ	06.08.2018
Changed by	UB	06.08.2018			Page 1 of 3

Drawing of Component



Designed by	MZ	08.01.2016	Dimensions without tolerance $\pm 0.5\text{mm}$	Index: 02	Current date
Released by	CB	08.01.2016	Drawing number	160108.1BZ	06.08.2018
Changed by	UB	06.08.2018			Page 2 of 3

Test Method



Standard Measurement conditions:

Temperature: $25 \pm 2^\circ\text{C}$ Humidity: 45 ~ 65%

Reliability Test

n.a.

Packaging Information

20pcs per box, 500pcs per carton.
Carton dimension 57x52x26cm, GW 26kg.

Revision Table

Index Nr.	Date Reason - Procedure Change description	Drawing Date	implementation	Comments
			LS-Nr.: Date	
1	Weight, packaging	28.06.2016	28.06.2016	MZ
2	Update: Drawing with new Terminal Block , Operating Temperature, Add: Testing Method	06.08.2018	06.08.2018	UB

Designed by	MZ	08.01.2016	Dimensions without tolerance $\pm 0.5\text{mm}$	Index: 02	Current date
Released by	CB	08.01.2016	Drawing number 160108.1BZ		06.08.2018
Changed by	UB	06.08.2018			Page 3 of 3