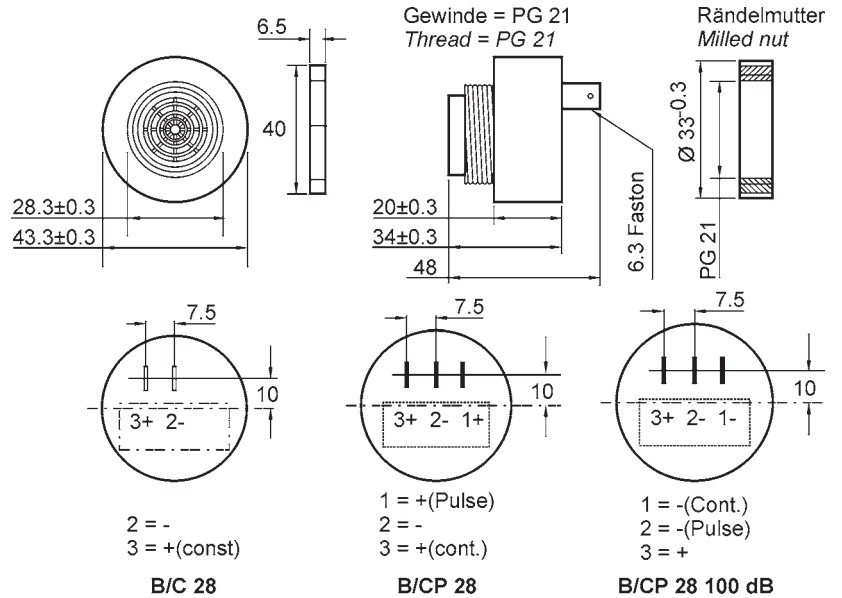
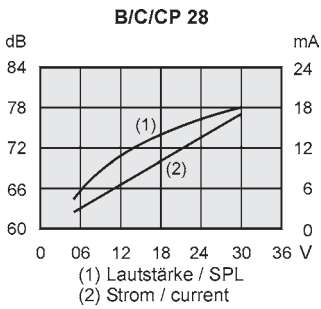


Buzzer For Panel Mounting

B/C 28
 B/CP 28
 B/CP 28-100



CE in accordance with EG regulation EMC 89/336/EWG

Technische Daten / technical data:	B/C 28	B/CP 28	B/CP 28-100
Betriebsspannungsbereich / operating voltage range (DC) (V)	5...28	5...28	5...28
Nennspannung / rated voltage (DC) (V)	12	12	12
Nennstrom / rated current (mA)	≤ 20	≤ 20	≤ 20
Frequenz / frequency (kHz)	2.9 ± 0.5	2.9 ± 0.5	2.9 ± 0.5
Lautstärke / sound pressure level (SPL) (dB)	85 ± 3	85 ± 3	95 ± 3
Tonart / tone	Pin 3 (+) - Pin 2 (-)	Dauerton/continuous	
	Pin 1 (+) - Pin 2 (-)	Pulston/ pulse tone	Pulston / pulse tone
Betriebstemperatur / operating temperature (°C)	-20...+75	-20...+75	-20...+75
Lagertemperatur / storage temperature (°C)	-40...+75	-40...+75	-40...+75
Gewicht / weight (g)	40	40	40
Montage / mounting Einlochmontage / single hole mounting (mm)	∅ 29	∅ 29	∅ 29
Anschlüsse / connection (mm)	Faston 6.3	Faston 6.3	Faston 6.3
Farbe / colour	grau grey schwarz black	grau / grey schwarz / black	grau / grey schwarz / black