

SPECIFICATION

FOR APPROVAL

Customer : _____

Description : _____ Magnetic Transducer _____

Compro Model No. : _____ ETP.12.005.U.BF _____

Customer's Model No. : _____

ISSUE	CHECK	APPROVAL	CUSTOMER
E. Mpouras 2013/10/31			

Compro[®]
ELECTRONIC GMBH

Compro Electronic GmbH
Beim Alten Flugplatz 3
D-49377 Vechta, Germany
T.: +49 (0) 4441 / 89112-50
F.: +49 (0) 4441 / 89112-55
Mail: info@compro.de
Web: <http://www.compro.de>

SPECIFICATIONS

Model No.

ETP.12.005.U.BF

Page

1/5

1. ELECTRICAL AND ACOUSTICAL SPECIFICATION

	Item	Unit	Specifications
1-1	Rated Voltage	V	5
1-2	Operating Voltage	V	4-7
1-3	* Rated Current (Max)	mA	30
1-4	* Min Sound Output at 10cm	dB	85
1-5	* Resonant Frequency	Hz	2300 ± 300
1-6	Operating Temperature	°C	-40~+85
1-7	Storage Temperature	°C	-40~+85
1-8	Weight	g	2
1-9	Housing Material	NORYL	
1-10	Lead Pin Material	Red Copper (DSn)	

* Value Applying at Rated Voltage (VDC)

		2013/10/30	E. Mpouras		
Issue No	Description	Date	Issue	Check	Approval

Compro Electronic GmbH, Vechta, Germany

SPECIFICATIONS

Model No.

ETP.12.005.U.BF

Page

2/5

2.ENVIRONMENTAL TEST

	Item	Specifications
2-1	Storage in High temp.	Storage in $+85^{\circ}\text{C} \pm 2^{\circ}\text{C}$ test box for 240 hours, then expose to the room temperature for 2 hours without applying power.
2-2	Storage in Lower temp.	Storage in $-40^{\circ}\text{C} \pm 2^{\circ}\text{C}$ test box for 240 hours, then expose to the room temperature for 2 hours without applying power.
2-3	Storage in Humidity	Storage in $+40^{\circ}\text{C} \pm 2^{\circ}\text{C}$ 90-95%RH test box for 96 hours, then expose to the room temperature for 2 hours without applying power.
2-4	Thermal cycle test.	<p>Make this test for 5 cycles without applying power, then expose to the room temperature for 2 hours.</p>
2-5	Vibration test	<p>Amplitude: 1.5mm Time : 1min/axis</p> <p>Make this test for the directions of X,Y, Z for 2 hours each (total 6 hours).</p>
2-6	Drop test	Free drop a unit from the height 100cm to the surface of 10mm thick board ,three directions(X,Y,Z).
2-7	Solderability test	Soldering temp.: $260 \pm 5^{\circ}\text{C}$ Heat applying time: $3 \pm 0.5\text{sec}$.

PASS CRITERION :

After these tests , the change of S.P.L shall be within $\pm 5 \text{ dB}$.

		2013/10/30	E. Mpouras		
Issue No	Description	Date	Issue	Check	Approval

Compro Electronic GmbH, Vechta, Germany

SPECIFICATIONS

Model No.

ETP.12.005.U.BF

Page

3/5

3.MEASURING METHOD(BUZZER MODE)

3-1 .Test Condition

3-1-1.STANDARD

Temperature : $25 \pm 3^{\circ}\text{C}$

Relative humidity : 60% ~ 70%,

Atmospheric pressure : 860mbar to 1060mbar

3-1-2.JUDGEMENT

Temperature : $15 \sim 35^{\circ}\text{C}$

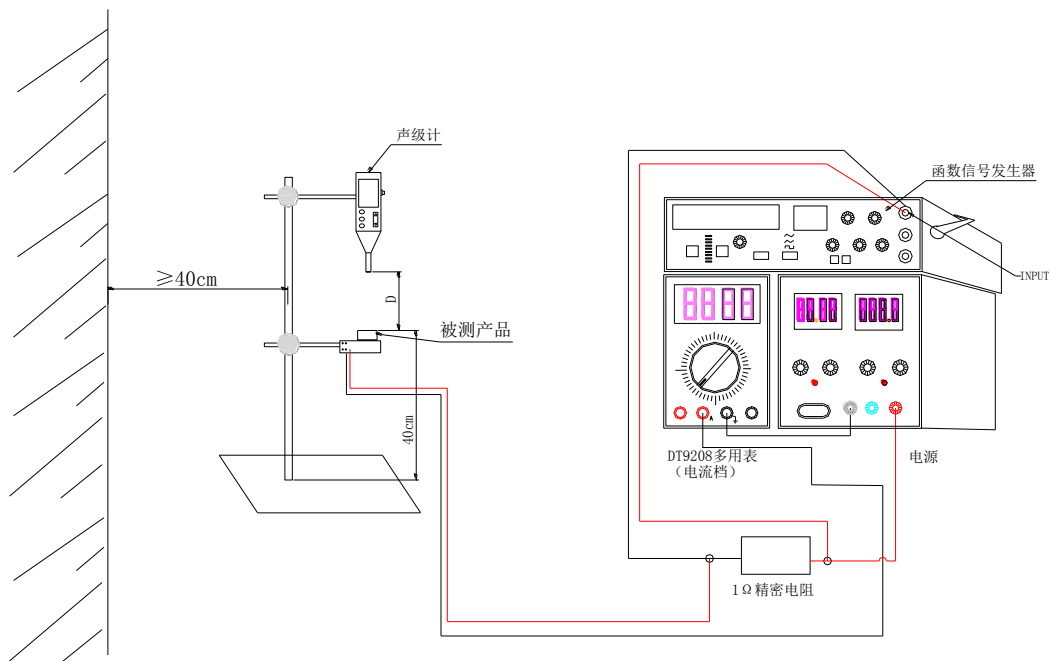
Relative humidity : 45% ~ 85%,

Atmospheric pressure : 860mbar to 1060mbar.

3-2 . Standard Test Fixture

1.rated Voltage(Square wave): 5V

2.Resonant Frequency: 2300Hz ± 300



		2013/10/30	E. Mpouras		
Issue No	Description	Date	Issue	Check	Approval

Compro Electronic GmbH, Vechta, Germany

SPECIFICATIONS

Model No.

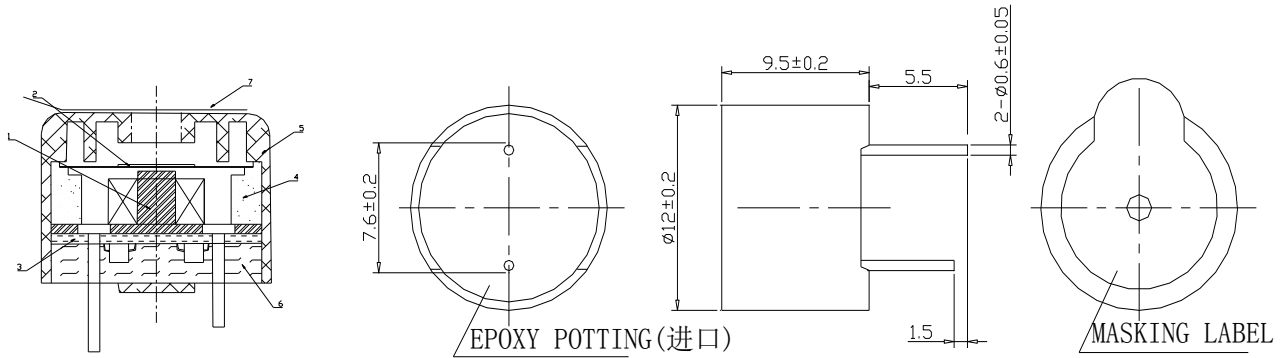
ETP.12.005.U.BF

Page

4/5

5.DIMENSIONS

Unless otherwise specified, tolerance: ± 0.5 (unit:mm)



Cadmium(Cd)/Cadmium Compounds	≤ 100 ppm
Lead (Pb) / Lead Compounds	≤ 800 ppm
Mercury (Hg) Mercury Compounds	≤ 800 ppm
Hexavalent-Chromium (Cr6+) Compounds	≤ 800 ppm
PBB	≤ 800 ppm
PBDE	≤ 800 ppm

- 1) All parts must be meet to ROHS.
- 2) Wave solder and wash allowed.

7	Masking label	1	Paper	
6	Potting		Exopy(进口)	
5	Housing	1	Noryl	
4	Core	1	Ferrite	
3	PCB	1	Exopy	
2	Diaphragm	1	Iron	
1	Coil Part	1	Copper And Iron	
Part No.	Part Name	Q'TY	Material	Remark

		2013/10/30	E. Mpouras		
Issue No	Description	Date	Issue	Check	Approval

Compro Electronic GmbH, Vechta, Germany

SPECIFICATIONS

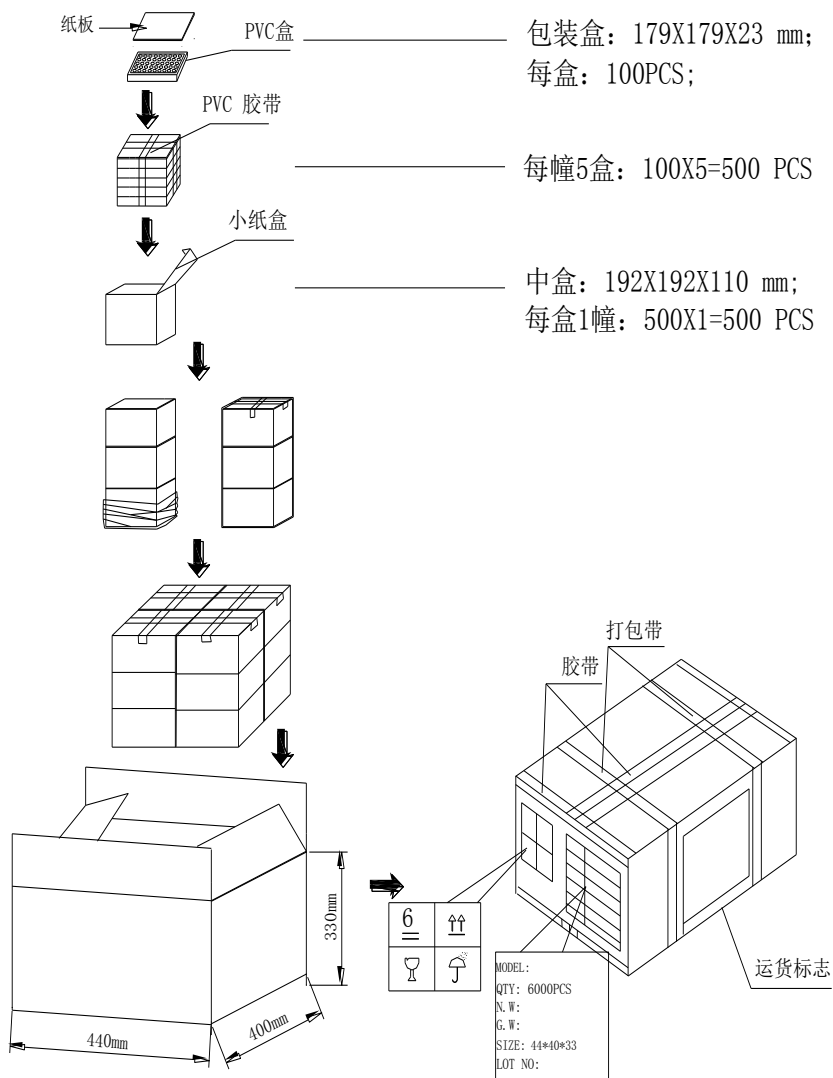
Model No.

ETP.12.005.U.BF

Page

5/5

6.PACKING



外箱: 440X400X330 mm;
每箱装12盒: 500X12=6000 PCS

		2013/10/30	E. Mpouras		
Issue No	Description	Date	Issue	Check	Approval

Compro Electronic GmbH, Vechta, Germany